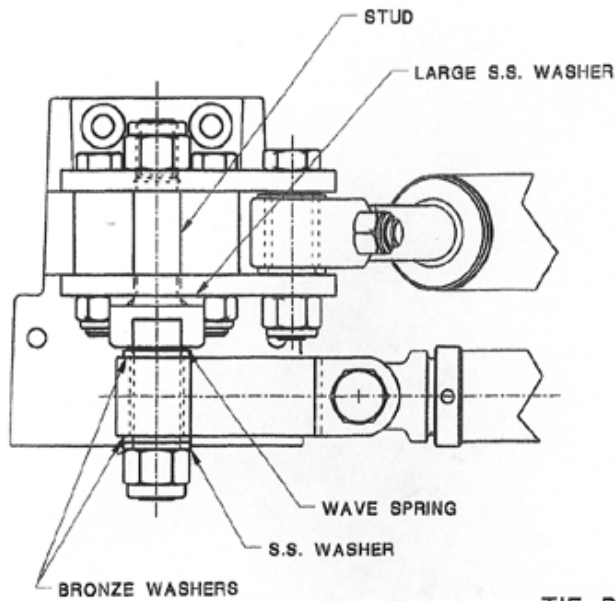
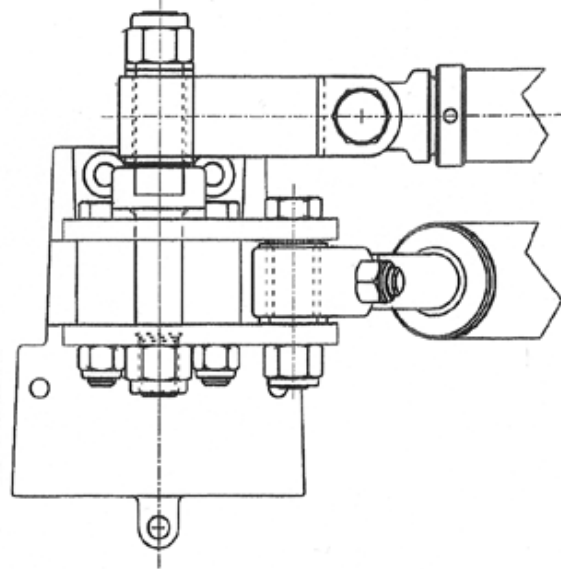


TIE BAR MOUNTED ON BOTTOM



TIE BAR MOUNTED ON TOP



TIE BAR INSTALLATION INSTRUCTIONS

- 1 SLIDE LARGE S.S. WASHER OVER THE END OF STUD WITH NO UNDERCUT IN THREADS. THE CHAMFERED SIDE OF WASHER SHOULD SEAT AGAINST THE BOTTOM OF STUD BASE.
- 2 INSERT STUD END WITH WASHER THRU PLATE'S CENTER HOLES. APPLY A GENEROUS AMOUNT OF ANTI-SEIZE TO THREADS AND TIGHTEN NUT AGAINST THE OPPOSITE PLATE.
- 3 SLIDE WAVE SPRING ON STUD FOLLOWED BY A BRONZE WASHER WITH THE CHAMFERED SIDE TOWARD THE SPRINGS.
- 4 SLIDE TIE BAR ASSEMBLY/CLEVIS OVER THE STUD FOLLOWED BY A BRONZE, THEN A S.S. WASHER.
- 5 APPLY ANTI-SEIZE COMPOUND TO STUD THREADS. PUSH TIE BAR ASSEMBLY OVER STUD AND ONTO SPRINGS WHILE ALIGNING BRONZE AND S.S. WASHERS AND TIGHTENING NUT. THIS WILL ALLOW WASHERS TO LOCATE ON STUD DIAMETER WHILE TURNING NUT.

FB-4014-000